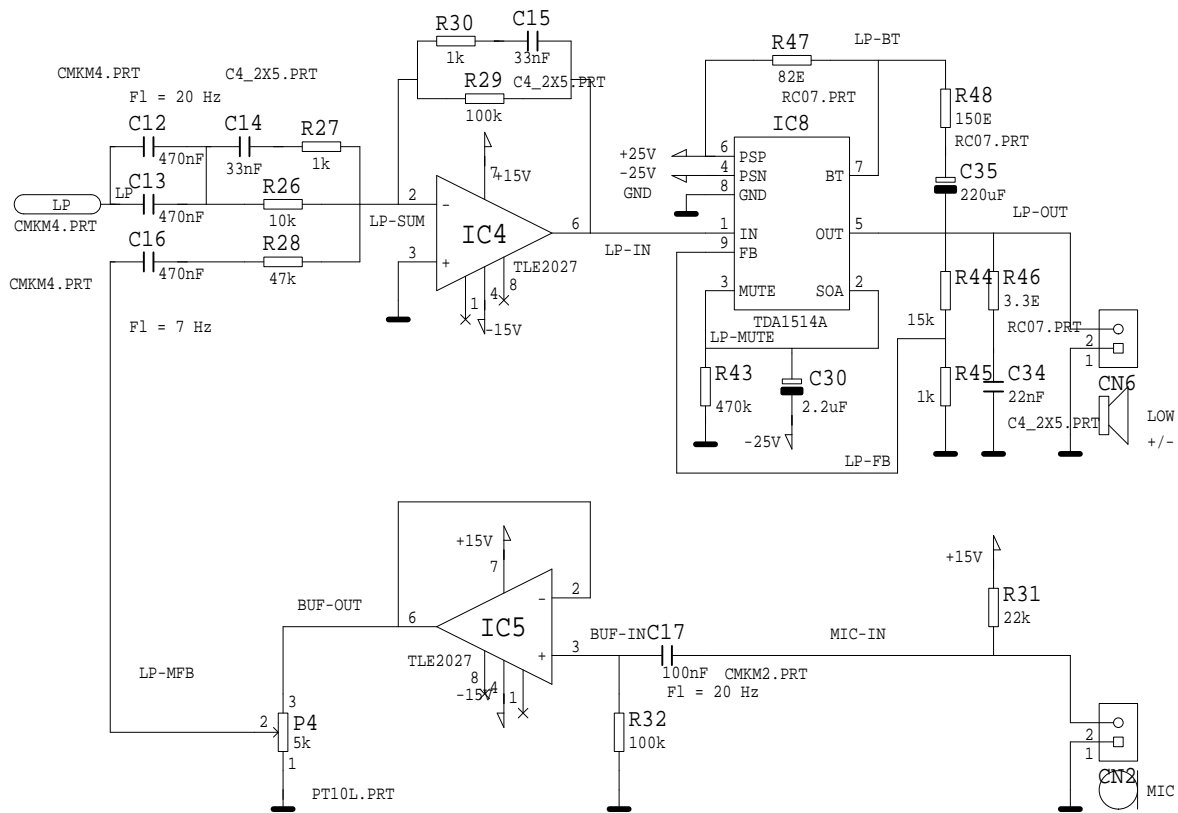
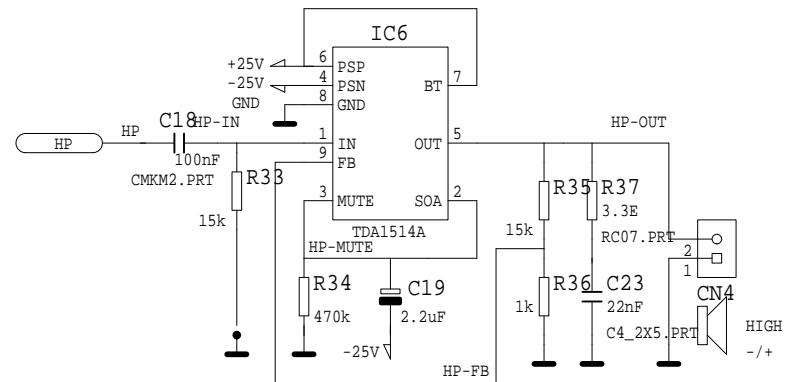


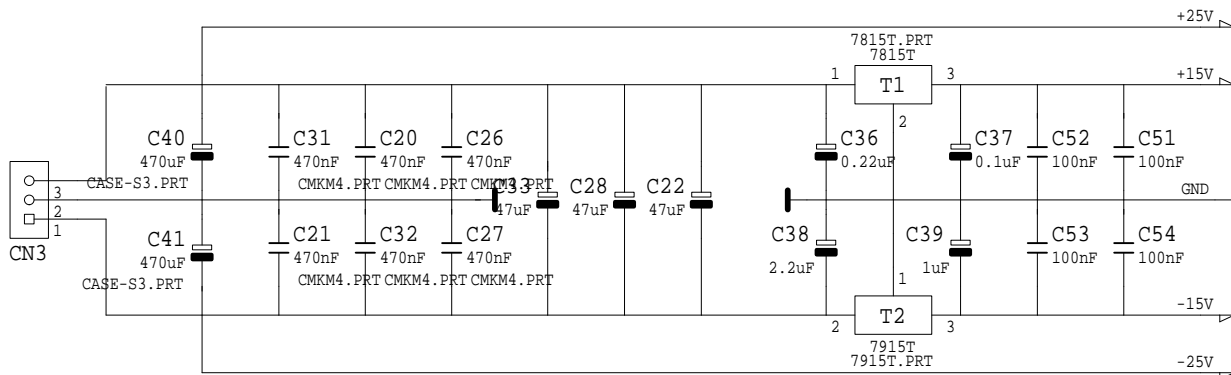
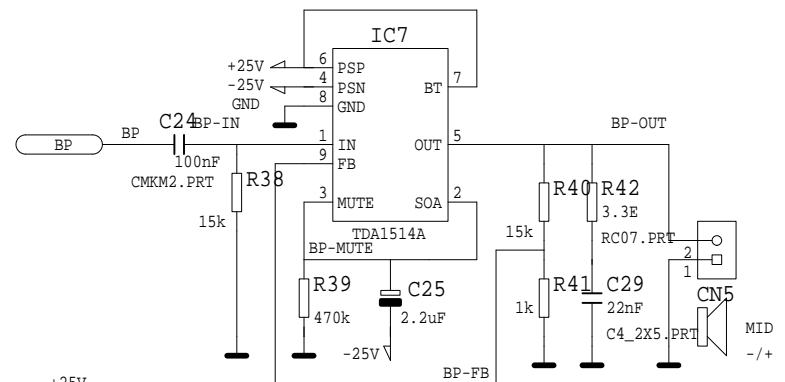
Amplifier Low



Amplifier High



Amplifier Medium



HUYGENS LABORATORIUM - MJM

PROJECT: Motional Feedback Loudspeaker Box

DATE : 30 Dec 1994

NUMBER :

PAGE : 2

RELEASE: 0.4

NOTES : amplif.sch