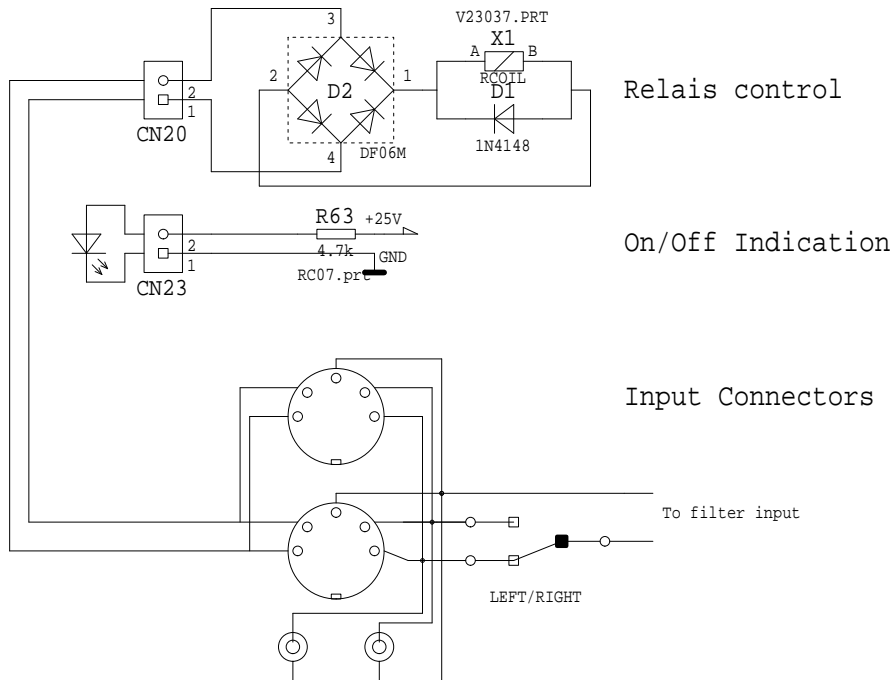
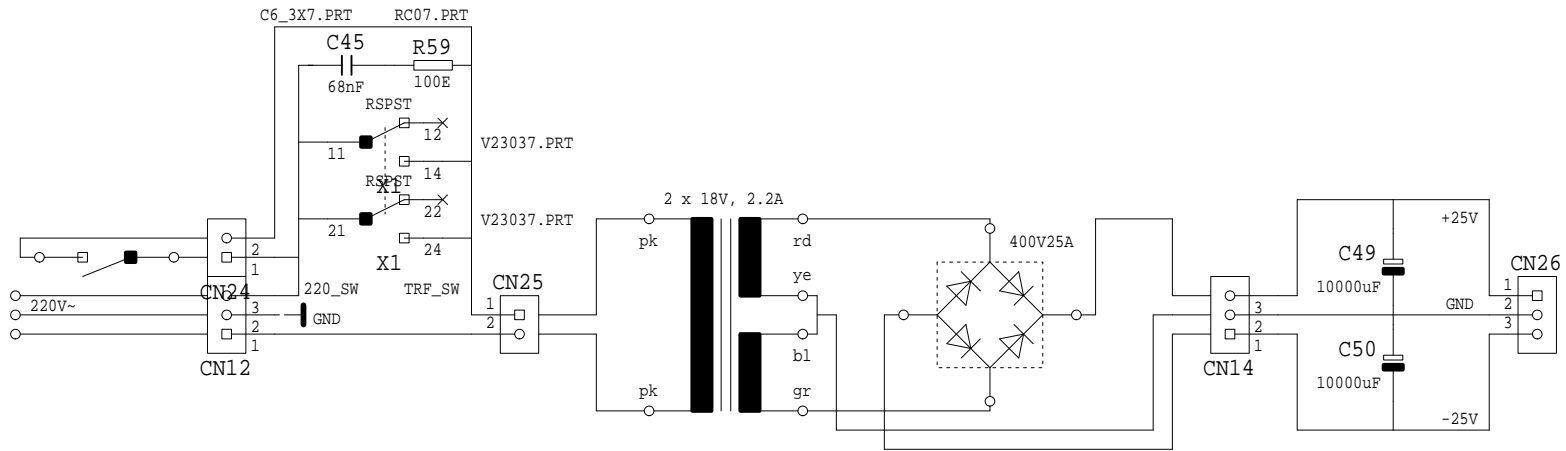


On/Off Relais

Transformer

Bridge

Buffer/Stabilization



HUYGENS LABORATORIUM - MJM	
PROJECT: Motional Feedback Loudspeaker Box	
DATE : 30 Dec 1994	NUMBER :
PAGE : 3	RELEASE: 0.4
NOTES : supply.sch	